

PANELFA

Insulation Solutions

✓ B15 STD NR



Ventilation Louver



Vision Panel



Kick out Panel



Options

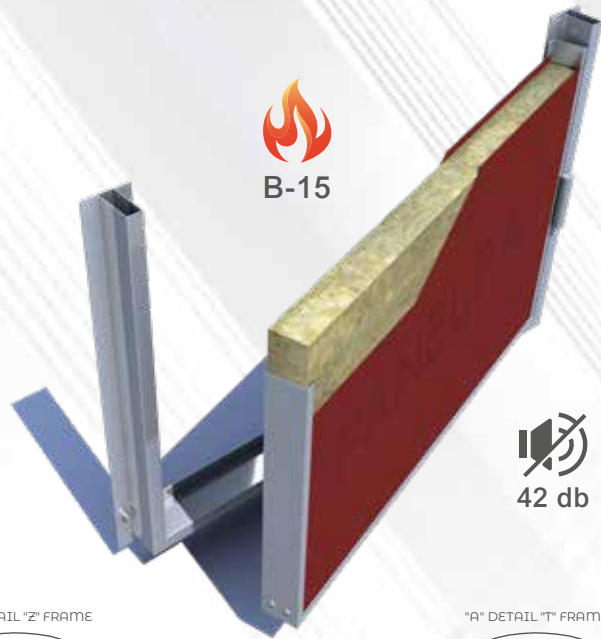
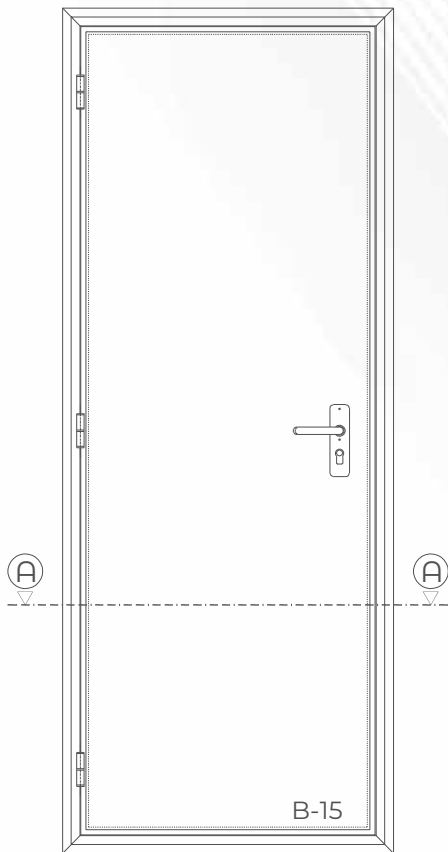
Doors

Description	B15 STD NR
Fire classification	B15
Max. Clear Opening (C.O.)	1030 x 2100 mm
Thickness	48 mm
Weight (aprox.)	22 kg/m ²
Sound reduction	42 dB
Thermal conductivity	0,038 W/m ² K a 10°C
Internal core	mineral wool
External cover	0,6 mm steel sheets
Door frame	1,2 mm galv. Steel. RAL finish / St. Steel

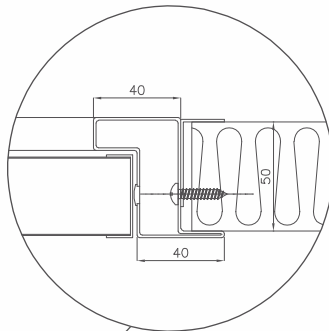


PANELFA

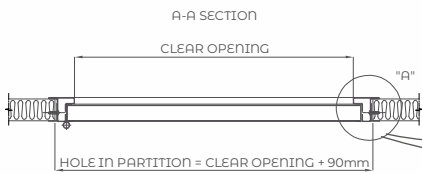
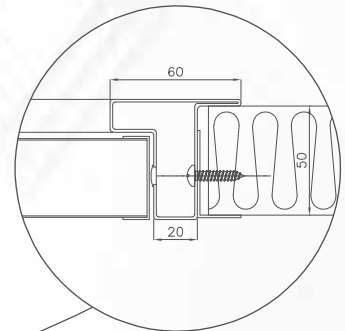
Insulation Solutions



"A" DETAIL "Z" FRAME

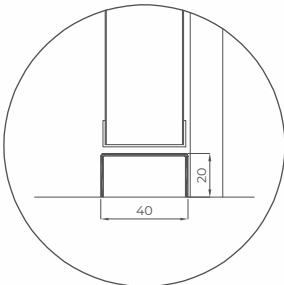


"A" DETAIL "T" FRAME

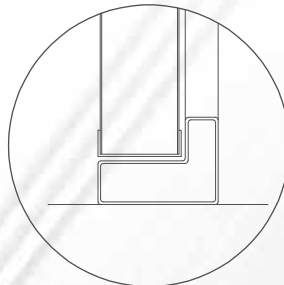


SILL OPTIONS

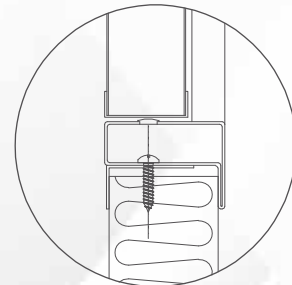
"U" SHAPE



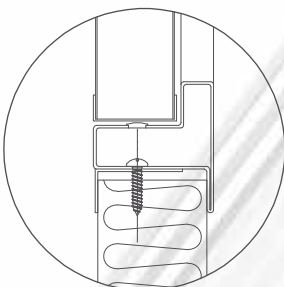
"L" SHAPE TO FLOOR



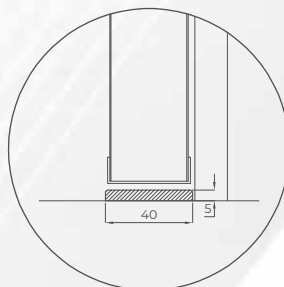
"L" SHAPE FOR COAMING



4 PARTS



FLAT BAR



NO SILL

