

# PANELFA

Insulation Solutions

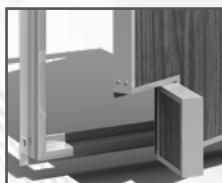
✓ A60 STD



Vision Panel



Hose port



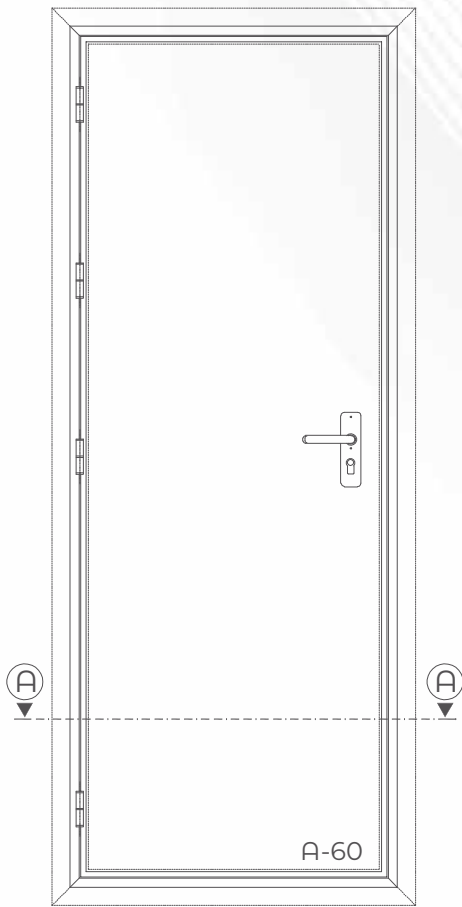
Options

Description	A60 STD
Fire classification	A 60
Max. Clear Opening (C.O.)	1010 x 2055 mm
Thickness	48 mm
Weight (aprox.)	27 kg/m <sup>2</sup>
Sound reduction	36 dB
Thermal conductivity	0,038 W/m <sup>2</sup> K a 10°C
Internal core	mineral wool + magnesium silicate
External cover	0,6 mm steel sheets
Door frame	1,2 mm galv. Steel. RAL finish / St. Steel

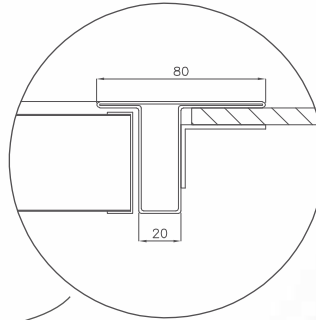


# PANELFA

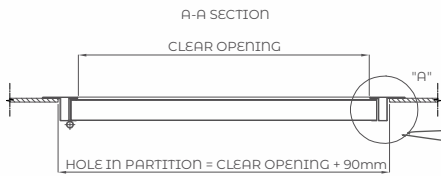
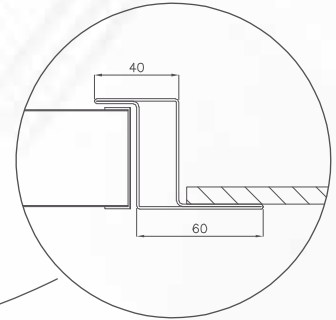
Insulation Solutions



"A" DETAIL "T" FRAME

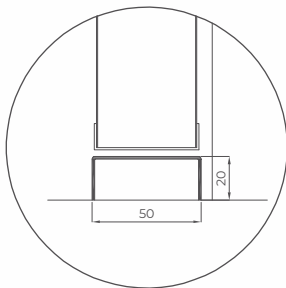


"A" DETAIL "Z" FRAME

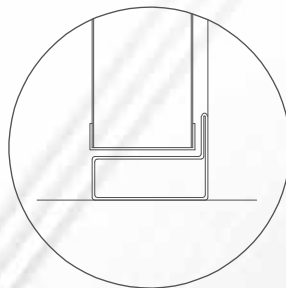


## SILL OPTIONS

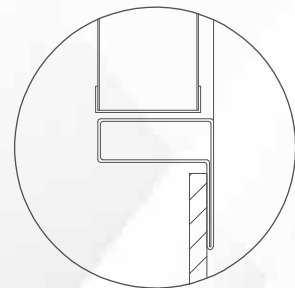
"U" SHAPE



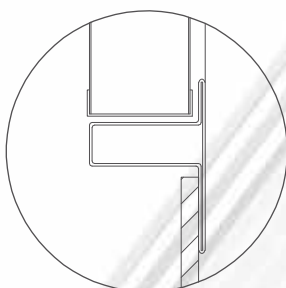
"L" SHAPE TO FLOOR



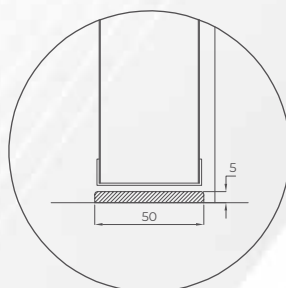
"L" SHAPE FOR COAMING



4 PARTS



FLAT BAR



NO SILL

