

PANELFA

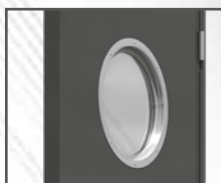
Insulation Solutions

✓ A30 Double



Options

Vision Panel



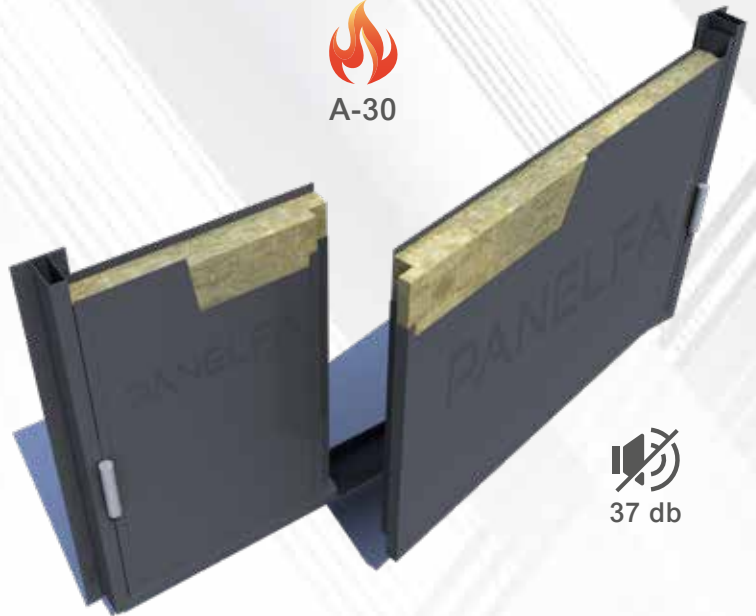
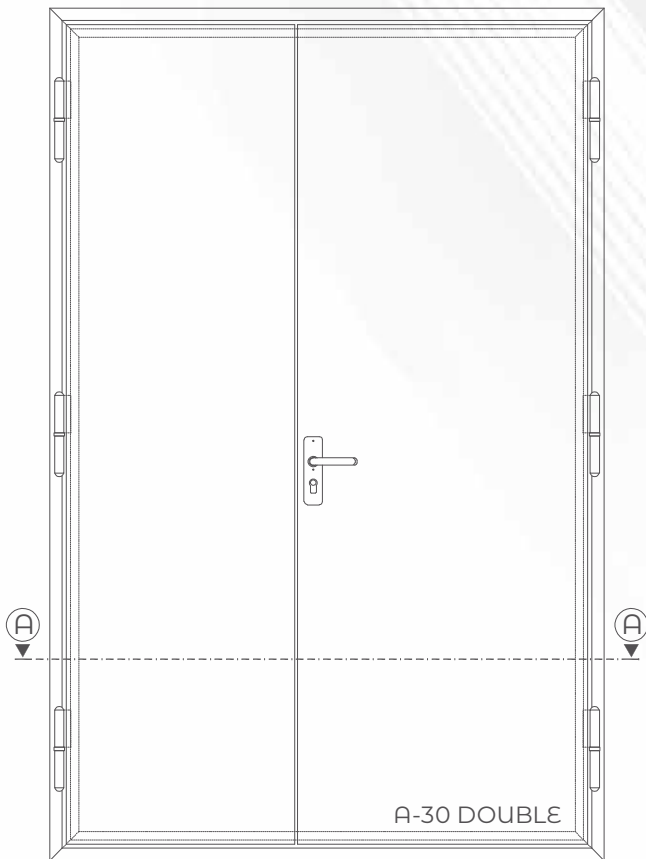
• Door leaf with different sizes available

Description	A30 DOUBLE
Fire classification	A 30
Max. Clear Opening (C.O.)	1641 x 1940 mm
Thickness	64 mm
Weight (aprox.)	30 kg/m ²
Sound reduction	37 dB
Thermal conductivity	0,038 W/m ² K a 10°C
Internal core	mineral wool
External cover	1,0 mm steel sheets
Door frame	1,5 mm galv. Steel. RAL finish / St. Steel

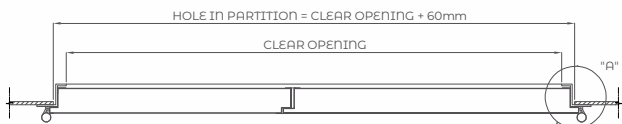


PANELFA

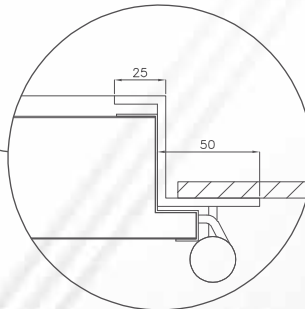
Insulation Solutions



A-A SECTION



"A" DETAIL "Z" FRAME



SILL OPTIONS

STANDARD

