

PANELFA

Insulation Solutions

✓ A15 STD



Vision Panel



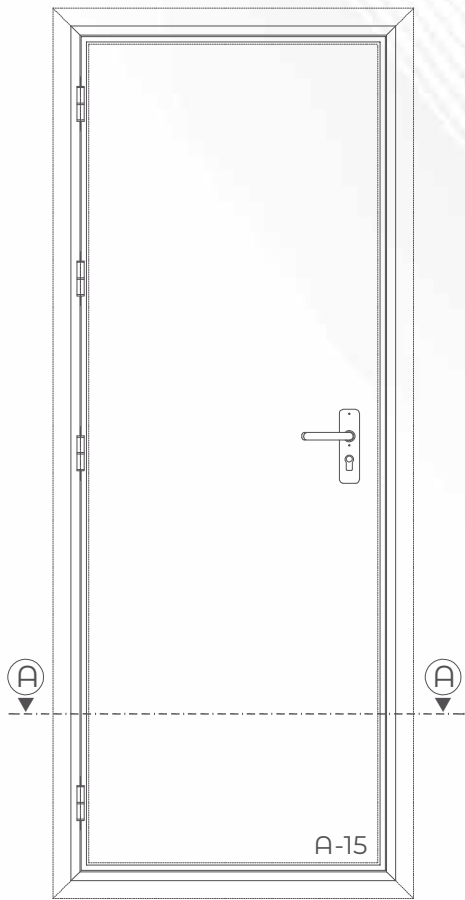
Options

Description	A15 STD
Fire classification	A 15
Max. Clear Opening (C.O.)	1000 x 2000 mm
Thickness	50 mm
Weight (aprox.)	25 kg/m ²
Sound reduction	35 dB
Thermal conductivity	0,038 W/m ² K a 10°C
Internal core	mineral wool
External cover	1,0 mm steel sheets
Door frame	2,0 mm galv. Steel. RAL finish / St. Steel

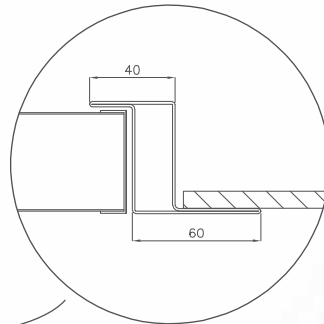


PANELFA

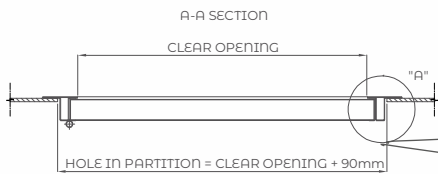
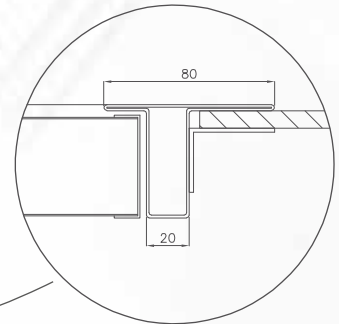
Insulation Solutions



"A" DETAIL "Z" FRAME

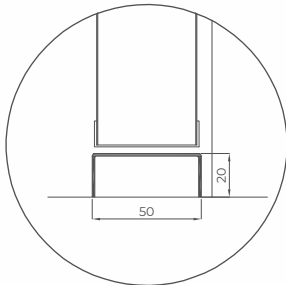


"A" DETAIL "T" FRAME

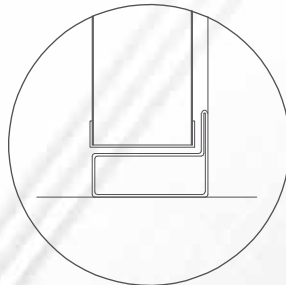


SILL OPTIONS

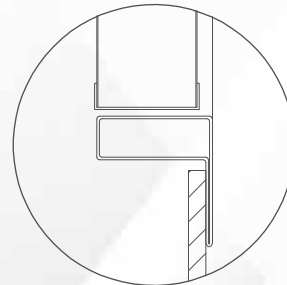
"U" SHAPE



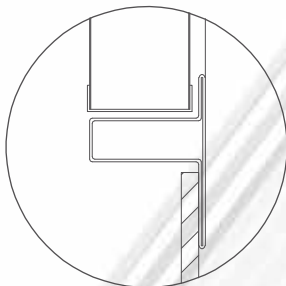
"L" SHAPE TO FLOOR



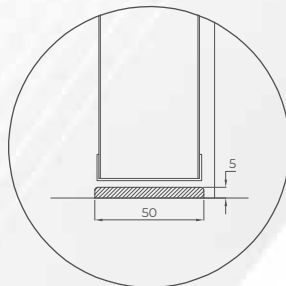
"L" SHAPE FOR COAMING



4 PARTS



FLAT BAR



NO SILL

