

## ✓ B15 Double



Ventilation Louver



Vision Panel



Kick out Panel



Options

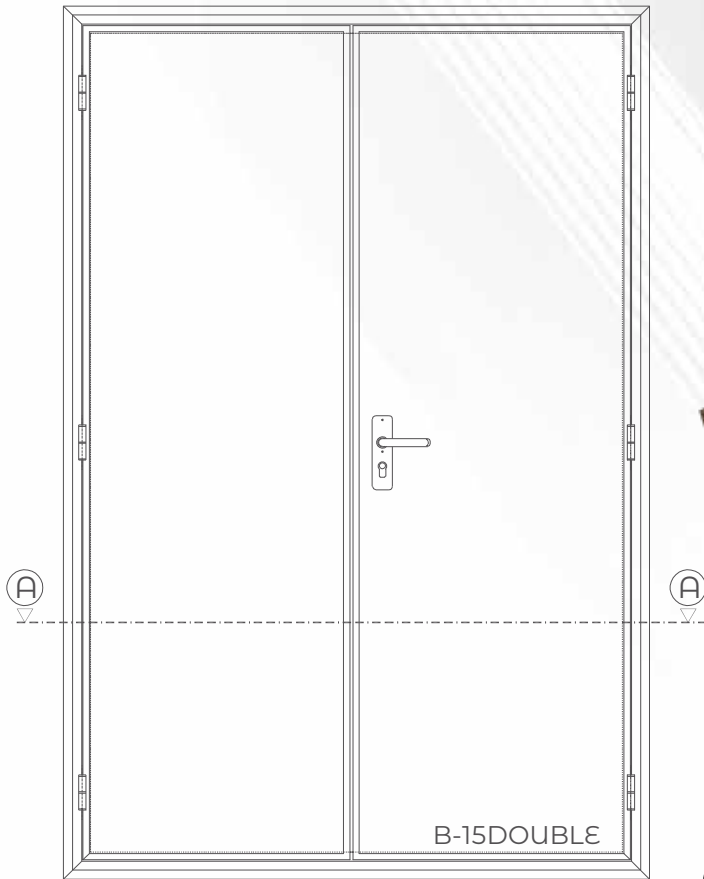
• Door leaf with different sizes available

Description	B15 DOUBLE
Fire classification	B15
Max. Clear Opening (C.O.)	1900 x 2095 mm
Thickness	48 mm
Weight (aprox.)	22 kg/m <sup>2</sup>
Sound reduction	32 dB
Thermal conductivity	0,038 W/m <sup>2</sup> K a 10°C
Internal core	mineral wool
External cover	0,8 mm steel sheets
Door frame	1,2 mm galv. Steel. RAL finish / St. Steel

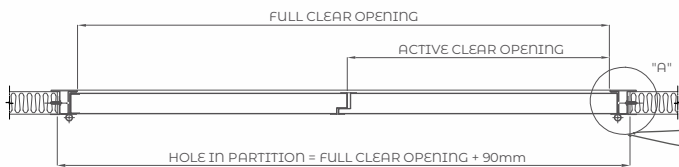


# PANELFA

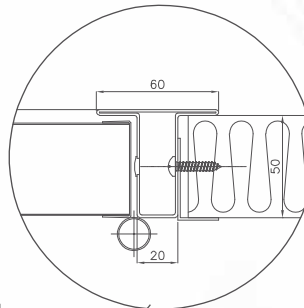
Insulation Solutions



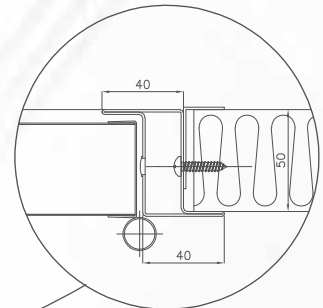
A-A SECTION



"A" DETAIL "T" FRAME

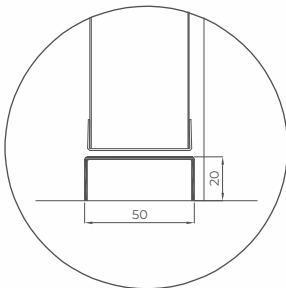


"A" DETAIL "Z" FRAME

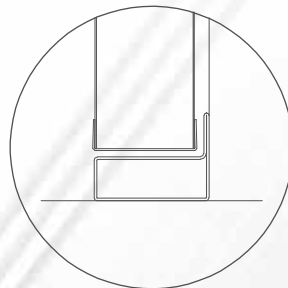


## SILL OPTIONS

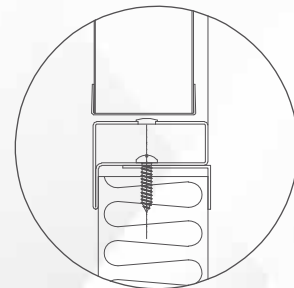
"U" SHAPE



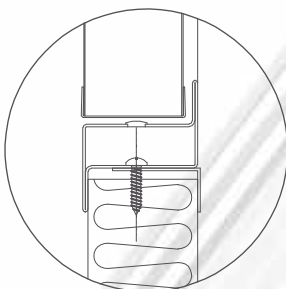
"L" SHAPE TO FLOOR



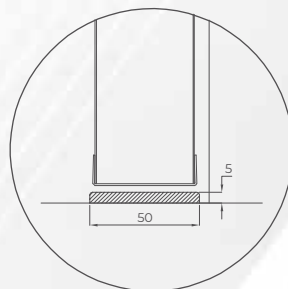
"L" SHAPE FOR COAMING



4 PARTS



FLAT BAR



NO SILL

